

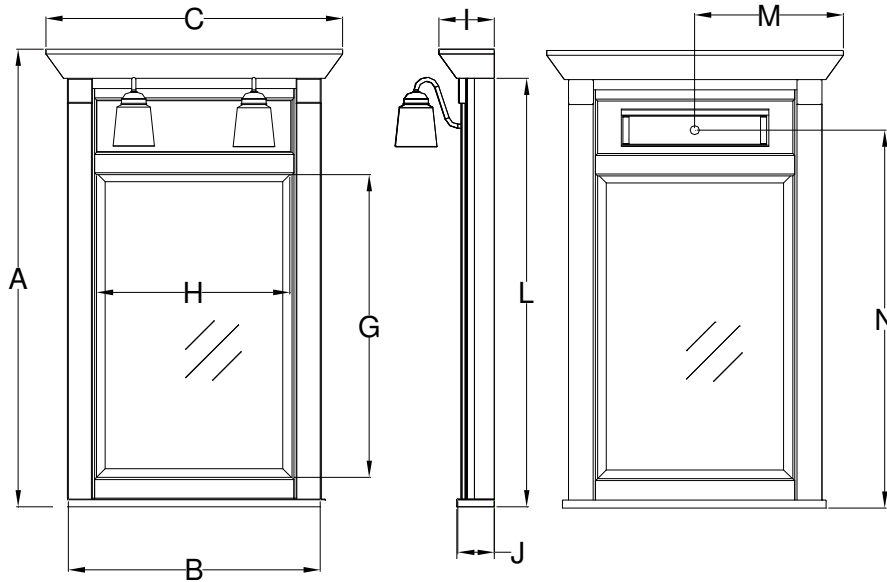


# Framed Mirror Specifications

## Molding Overlay Collections

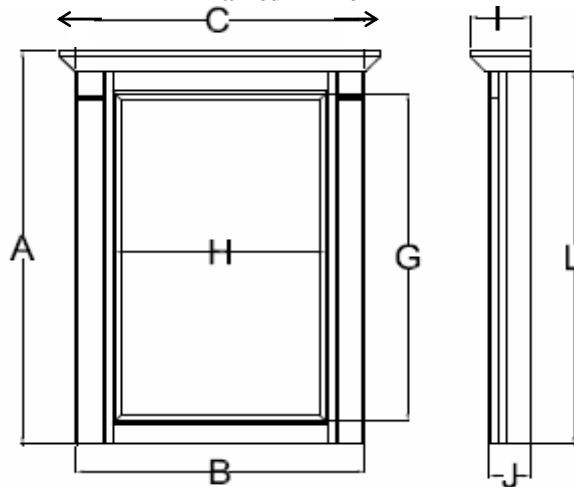
### Tuscany and Ulverston

Framed Mirror with lights



	Cabinet		Crown	Sill	Door		Mirror		Crown	Cab	Sill	Cab	Electric	
	Height A	Width B	Width C	Width D	Width E	Height F	Height G	Width H	Depth I	Depth J	Depth K	Height L	Width M	Height N
BM21LF-	41 1/2	21	23	NA	NA	NA	29 5/8	15 7/8	4 1/2	3 3/8	NA	39 7/8	10 1/2	37 1/2
BM24LF-	41 1/2	24	26	NA	NA	NA	29 5/8	18 7/8	4 1/2	3 3/8	NA	39 7/8	12	37 1/2
BM30LF-	41 1/2	30	32	NA	NA	NA	29 5/8	24 7/8	4 1/2	3 3/8	NA	39 7/8	15	37 1/2
BM21TF-	41 1/2	21	23	NA	NA	NA	29 5/8	15 7/8	4 1/2	3 3/8	NA	39 7/8	NA	NA
BM24TF-	41 1/2	24	26	NA	NA	NA	29 5/8	18 7/8	4 1/2	3 3/8	NA	39 7/8	NA	NA
BM30TF-	41 1/2	30	32	NA	NA	NA	29 5/8	24 7/8	4 1/2	3 3/8	NA	39 7/8	NA	NA

Framed Mirror



	Cabinet		Crown	Sill	Door		Mirror		Crown	Cab	Sill	Cab	Electric	
	Height A	Width B	Width C	Width D	Width E	Height F	Height G	Width H	Depth I	Depth J	Depth K	Height L	Width M	Height N
BM21PF-	34 1/2	21	23	NA	NA	NA	28 3/4	15 7/8	4 1/2	3 3/8	NA	32 7/8	NA	NA
BM24PF-	34 1/2	24	26	NA	NA	NA	28 3/4	18 7/8	4 1/2	3 3/8	NA	32 7/8	NA	NA
BM30PF-	34 1/2	30	32	NA	NA	NA	28 3/4	24 7/8	4 1/2	3 3/8	NA	32 7/8	NA	NA
BM36PF-	34 1/2	36	38	NA	NA	NA	28 3/4	30 7/8	4 1/2	3 3/8	NA	32 7/8	NA	NA
BM48PF-	34 1/2	48	50	NA	NA	NA	28 3/4	42 7/8	4 1/2	3 3/8	NA	32 7/8	NA	NA