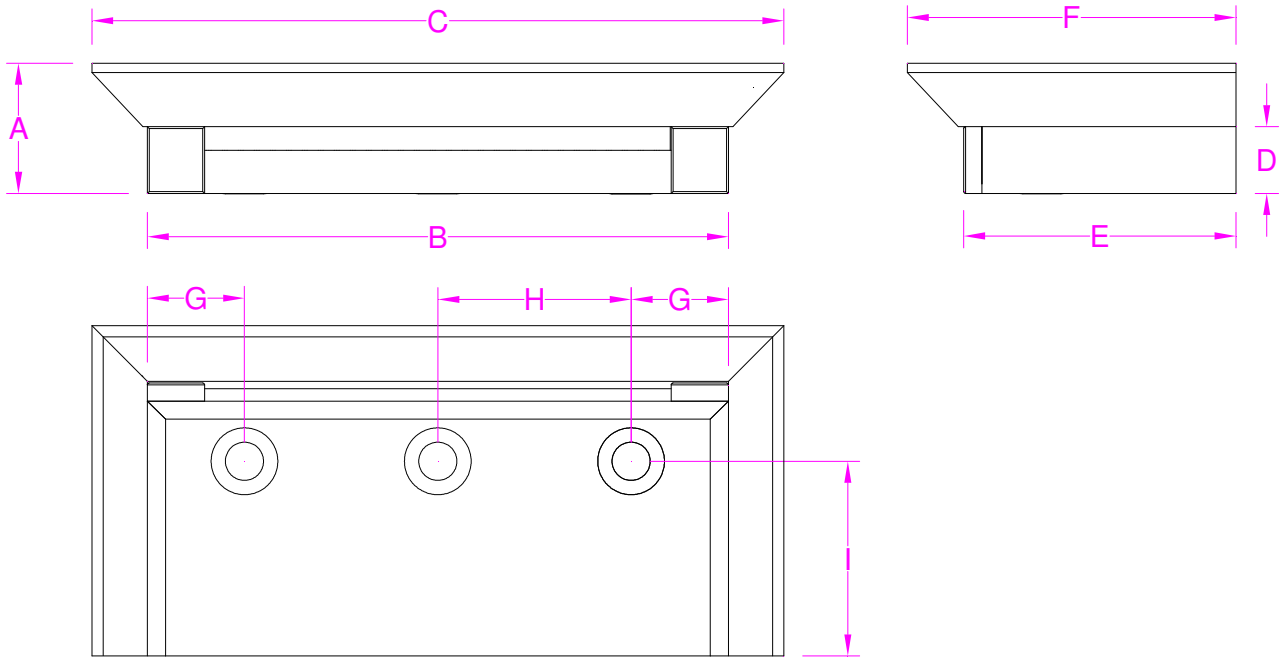




Flyover Specifications

Molding Overlay Collections

Estate, Fireside, Heirloom and Nottingham



Fly-Over Lights for over Regular Mirrored Cabinets and Framed Mirrors										
	FLY-OVER		Crown		Depth	Crown	Spacing from edge to light	Spacing between lights	Spacing from Back	Number of Lights
	Height	Width	Width	Height						
	A	B	C	D	E	F	G	H	I	
LT21FL-	5 1/8	21	24 5/8	2 3/8	11 1/4	13 3/8	4 7/8	5 5/8	8	3
LT24FL-	5 1/8	24	27 5/8	2 3/8	11 1/4	13 3/8	4 7/8	8	8	3
LT31FL-	5 1/8	30	33 3/4	2 3/8	11 1/4	13 3/8	4 7/8	7 5/8	8	4
LT36FL-	5 1/8	36	39 3/8	2 3/8	11 1/4	13 3/8	4 7/8	7	8	5
LT42FL-	5 1/8	42	45 3/8	2 3/8	11 1/4	13 3/8	4 7/8	8	8	5
LT48FL-	5 1/8	48	51 3/8	2 3/8	11 1/4	13 3/8	4 7/8	8	8	6
Fly-Over Lights for over Breakfront Center Mirrored Cabinets										
LT24FLB	5 1/8	24	27 3/8	2 3/8	14 1/4	16 3/8	4 7/8	8	8	3
LTFL30B	5 1/8	30	33 3/8	2 3/8	14 1/4	16 3/8	4 7/8	7 5/8	8	4
Lighted Caps										
LT30CL-	5 1/2	30	33 3/4	2 3/4	17 5/8	21 7/8	6 3/8	5 3/4	8	4
LT36CL-	5 1/2	36	39 3/8	2 3/4	17 5/8	21 7/8	6 3/8	5 3/4	8	5
LT42CL-	5 1/2	42	45 3/8	2 3/4	17 5/8	21 7/8	6 3/8	5 3/4	8	5
LT48CL-	5 1/2	48	51 3/8	2 3/4	17 5/8	21 7/8	6 3/8	7	8	6