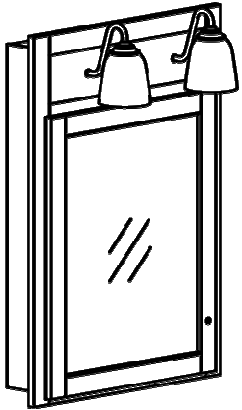


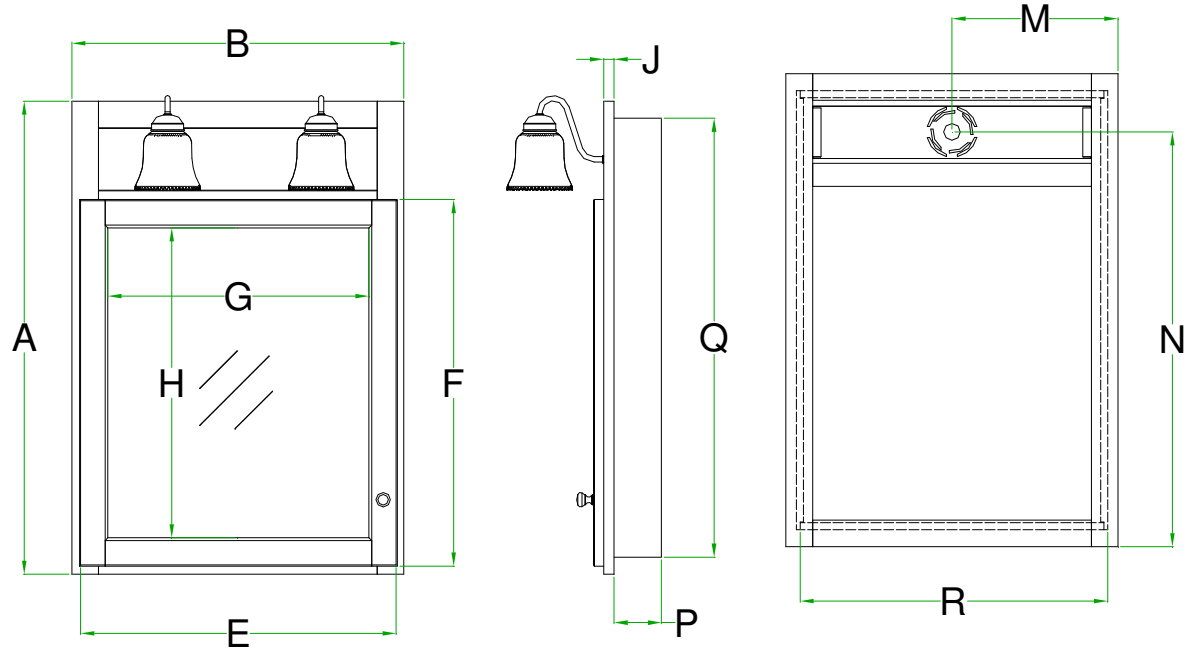


# MIRRORED CABINET WITH LIGHTS SPECIFICATIONS

Premier Overlay Collections  
Ashford, Gentry, and Valencia



Door shown is hinge left, for right hand hinge replace the L in position 7 or model number with an R.



Cabinet Depth is 4 1/2".

**\*Recommend adding 1/8" to recessed dimensions for wall cutout.**

Electrical box is centered and 3 3/8" down from the top.

All dimensions are shown in inches rounded up or down to the nearest 1/8".

Model	A	B	E	F	G	H	J	M	N	P	*Q	*R
BM18RGL	30 3/4"	18"	14 1/2"	21 1/4"	10 5/8"	17 1/4"	3/4"	9"	26 5/8"	3 1/2"	28 1/4"	16"
BM24RGL	34 1/4"	24"	21 1/4"	25"	16 5/8"	20 3/8"	3/4"	12"	30 1/8"	3 1/2"	31 3/4"	22 1/2"