



# Wood Top - Used with Bowl for Sink Top

## Installation Instructions

See separate instructions for Vanity Installation

Page 1 of 2

### TOOLS AND SUPPLIES NEEDED

- ◆ Tape Measure
- ◆ Level
- ◆ Phillips Screwdriver
- ◆ Moisture Resistant Caulk
- ◆ Plumber's Putty
- ◆ Wood Filler
- ◆ Wood Construction Adhesive
- ◆ Supplies and tools needed for installing faucet and drain
- ◆ Powered Drill and 1 1/4" hole saw
- ◆ Saber Saw or Saws-All for cutting hole for bowl
- ◆ Marine Varnish and paint brush

### PREPARATION

Remove wood top from carton. Select and unpackage bowl and faucet that will be used. Remove old lavatory or cabinet top. Check all old pipe fittings or get new ones before beginning the job.

### FIRST

#### Cut Top to Correct Length (Optional)

For a wood top that needs to be shortened for a custom length or to fit next to a wall, mark the top by scribing or measuring it. Please note that the wood top will Scratch Quite Easily and masking tape should be used to protect it during this operation. Prior to cutting remove any battons on the underneath side that are in the cutting area. Cut using a saber saw or saws-all equipped with a fine tooth blade for wood sawing.

### SECOND

#### Cut Hole for Sink Bowl

Use the template provided by the bowl manufacturer to mark where the hole for the bowl is to be cut. Please note that the wood top will Scratch Quite Easily and masking tape should be used to protect it during this operation. Prior to cutting remove any battons on the underneath side if they are in the cutting area or impede installation of top. Cut the hole from the top using a saber saw or saws-all equipped with a fine tooth blade for wood sawing.

### THIRD

#### Drill Faucet Holes

Faucet holes are not predrilled. Holes may be drilled with a hole saw (standard 1 1/4"). Use the faucet manufacturer's template for hole placement. Please note that the wood top will Scratch Quite Easily and masking tape should be used to protect it during this operation.

### FOURTH (Optional)

#### Fit and Cut Optional Wood Back Splash

The optional wood back splash may need to be cut to length using the same procedure as for the first step above. The optional wood back splash can be made to fit the wall better by scribing and removing the part that holds the back splash out from wall. Use a block plane or belt sander for removing material.

### FIFTH

#### Apply Marine Varnish to Edges that have been Cut or Drilled

The raw wood edges that have been cut for length or for the sink bowl or drilled for the faucet holes plus the unfinished wood surface under any removed battons must be given two brushed on coats of marine varnish to keep out moisture. Prior to applying marine varnish fill any screw holes for batton attachment, that were not removed by cutting operations, with wood filler and allow to dry according to the wood filler manufacturer's instructions.

### SIXTH

#### Install Sink Bowl on Wood Top Before Installing Wood Top on Vanity

Remove Wood Top from vanity and place it carefully upside down on carpeting or blanket.

**Note:** Bowl can be installed after wood top and vanity are in place but it's easier as described above.

Apply a double bead of moisture resistant caulk 1/16" in from the sink cutout. Mount bowl into wood top according to the bowl manufacturer's instructions.. Apply a bead of moisture resistant caulk around the outer edge of sink.

*(Continued on back side.)*



**SEVENTH**

**Install Faucet on Wood Top Before Installing Wood Top on Vanity**

Remove Wood Top from vanity and place it carefully upside down on carpeting or blanket.

**Note:** Faucet can be installed after wood top and vanity are in place but it's easier as described above.

Mount faucet into the proper holes and tighten by hand.

**Warning:** Tighten only by hand or until faucet cannot move.

Tightening with wrenches **too tight could crack and ruin the top!**

Attach water supply lines to faucet.

Connect drain lines using plumber's putty to seal the top drain flange.

Apply a bead of moisture resistant caulk around the outer edge of the faucet.

**EIGHTH**

**Determine Faucet and Drain Needs**

Set wood top (with bowl and faucet installed) on vanity base.

Measure all water pipes, P-traps, and drain and make sure you have all needed supplies.

**NINETH**

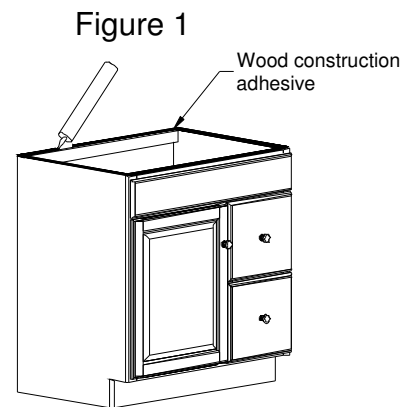
**Attach Wood Top to Vanity**

Apply a bead of premium grade wood construction adhesive on all four edges of vanity (see Figure 1). Set wood top on the vanity making sure it is snug against the wall. Attach water supply lines to main water lines.

**TENTH (Optional)**

**Attach Optional Wood Back Splash**

Attach back splash to wall and wood top with a premium grade wood construction adhesive.



**Wood Top - Used without Bowl for Furniture Top  
Installation Instructions**

**Follow the Instructions from the First, Fourth, Fifth, Ninth and Tenth steps listed above.**

**Wood Top Cleaning**

**Use Mild Detergent and Warm Water**

For cleaning wood tops use mild detergent and warm water. Never leave water standing or wash cloths on the wood top for prolonged periods of time.

**Wood Top Precautions and Warranty**

♦ **Follow all the listed steps in the above Installation and**