

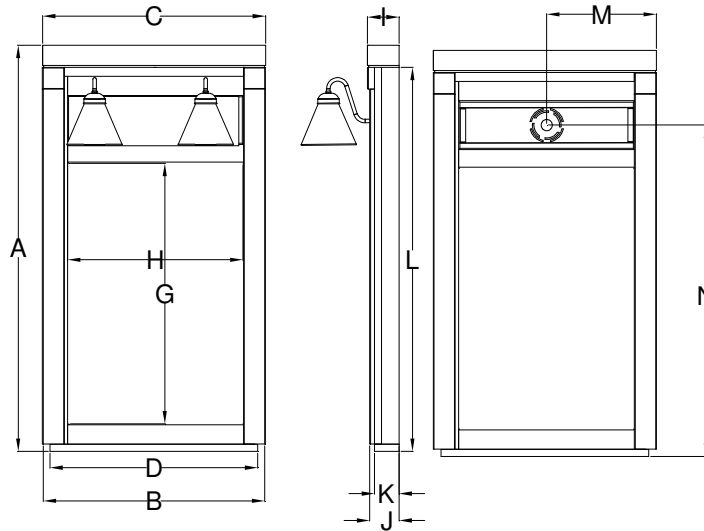


Framed Mirror Specifications

Molding Overlay Collections

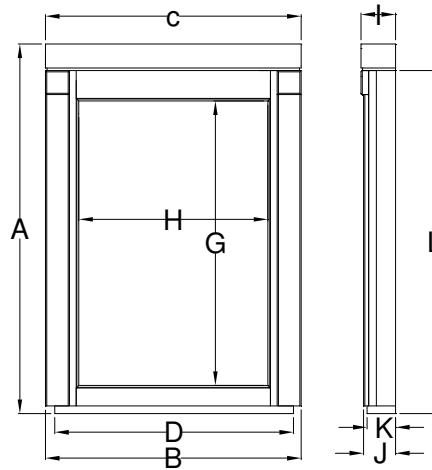
Monterey

Framed Mirror with lights



	Cabinet		Crown	Sill	Door		Mirror		Crown	Cab	Sill	Cab	Electric	
	Height A	Width B	Width C	Width D	Width E	Height F	Height G	Width H	Depth I	Depth J	Depth K	Height L	Width M	Height N
BM21LF-	43 3/8	21	21	19 1/2	NA	NA	29 5/8	15 7/8	3 1/2	2 7/8	2 1/2	40 5/8	10 1/2	37 1/2
BM24LF-	43 3/8	24	24	22 1/2	NA	NA	29 5/8	18 7/8	3 1/2	2 7/8	2 1/2	40 5/8	12	37 1/2
BM30LF-	43 3/8	30	30	28 1/2	NA	NA	29 5/8	24 7/8	3 1/2	2 7/8	2 1/2	40 5/8	15	37 1/2
BM21TF-	43 3/8	21	21	19 1/2	NA	NA	29 5/8	15 7/8	3 1/2	2 7/8	2 1/2	40 5/8	NA	NA
BM24TF-	43 3/8	24	24	22 1/2	NA	NA	29 5/8	18 7/8	3 1/2	2 7/8	2 1/2	40 5/8	NA	NA
BM30TF-	43 3/8	30	30	28 1/2	NA	NA	29 5/8	24 7/8	3 1/2	2 7/8	2 1/2	40 5/8	NA	NA

Framed Mirror



	Height A	Width B	Width C	Width D	Width E	Height F	Height G	Width H	Depth I	Depth J	Depth K	Height L	Width M	Height N
BM21PF-	36 3/8	21	21	19 1/2	NA	NA	28 7/8	15 7/8	3 3/8	3 1/8	2 1/2	35 1/8	NA	NA
BM24PF-	36 3/8	24	24	22 1/2	NA	NA	28 7/8	18 7/8	3 3/8	3 1/8	2 1/2	35 1/8	NA	NA
BM30PF-	36 3/8	30	30	28 1/2	NA	NA	28 7/8	24 7/8	3 3/8	3 1/8	2 1/2	35 1/8	NA	NA
BM36PF-	36 3/8	36	36	24 1/2	NA	NA	28 7/8	30 7/8	3 3/8	3 1/8	2 1/2	35 1/8	NA	NA
BM48PF-	36 3/8	48	48	46 1/2	NA	NA	28 7/8	42 7/8	3 3/8	3 1/8	2 1/2	35 1/8	NA	NA