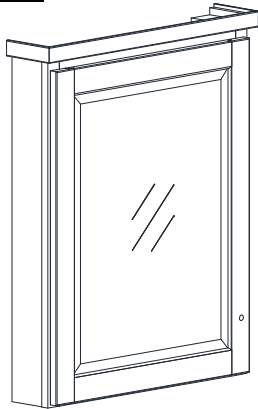


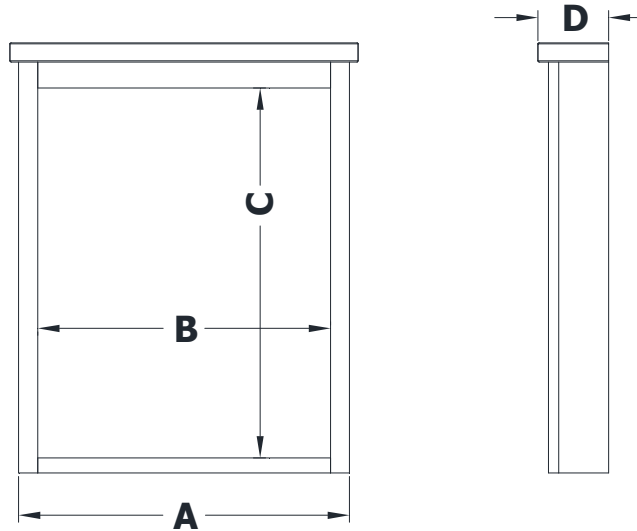


MIRRORED CABINET SPECIFICATIONS

Premier Overlay Collections Lambiere



3D drawing shows Hinge left. For hinge right, replace the "L" in position 7 of the model number with a "R".



Cabinet height is 31 1/4", Cabinet Depth is 4 1/2".

Crown adds 1 1/4" to the width.

Electrical box opening is centered and 3 3/8" from the top.

All dimensions are shown in inches rounded up or down to the nearest 1/8".

Model	A	B	C	D
BM18PML	18"	15 1/4"	26 3/4"	5 1/8"
BM24PML	24"	21 1/4"	26 3/4"	5 1/8"