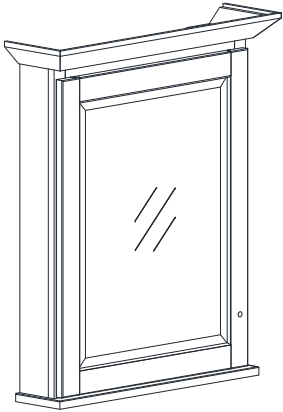


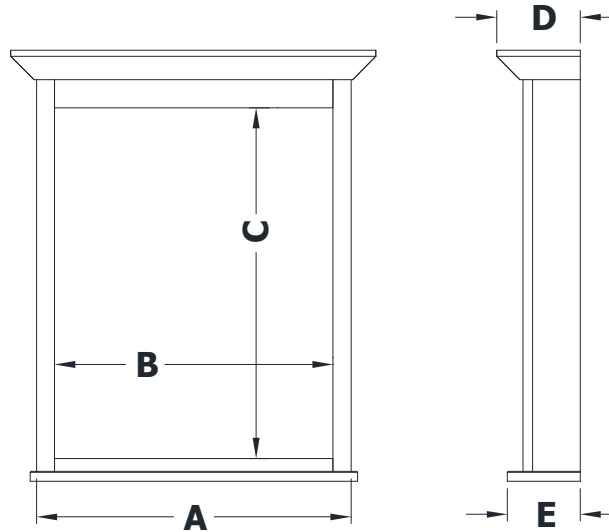


MIRRORED CABINET SPECIFICATIONS

Premier Overlay Collections Ashford, and Gentry



3D drawing shows Hinge left. For hinge right , replace the "L" in position 7 of the model number with a "R".



Cabinet height is 32 3/4", Cabinet Depth is 4 1/2".

Sill adds 1" to cabinet width, Crown adds 2 3/4" to the width.

All dimensions are shown in the nearest 1/8".

inches rounded up or down to

Model	A	B	C	D	E
BM18PML	18"	15 1/4"	26 3/4"	6"	5 5/8"
BM24PML	24"	21 1/4"	26 3/4"	6"	5 5/8"