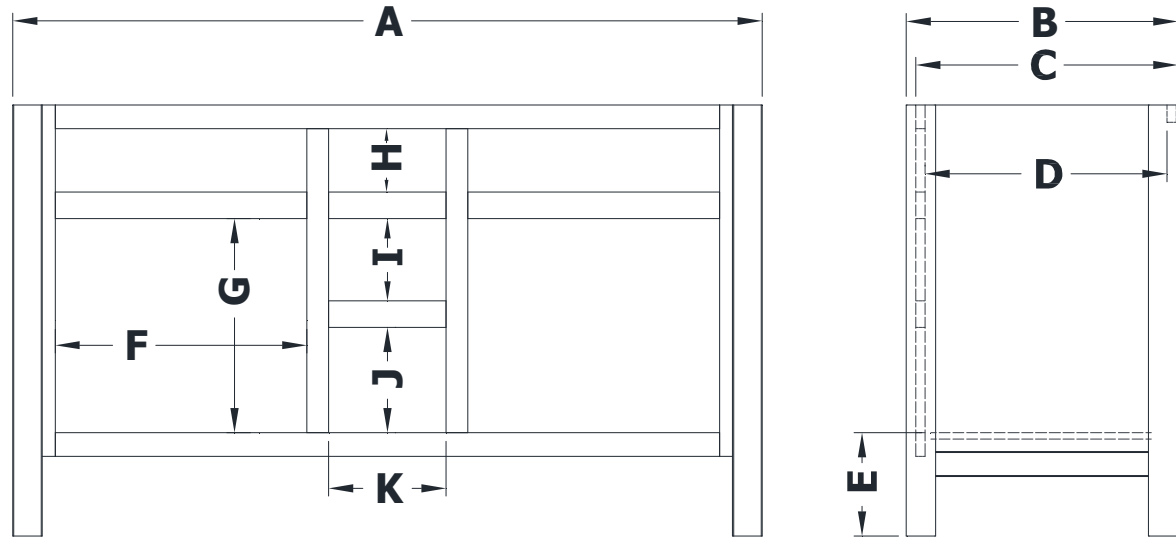
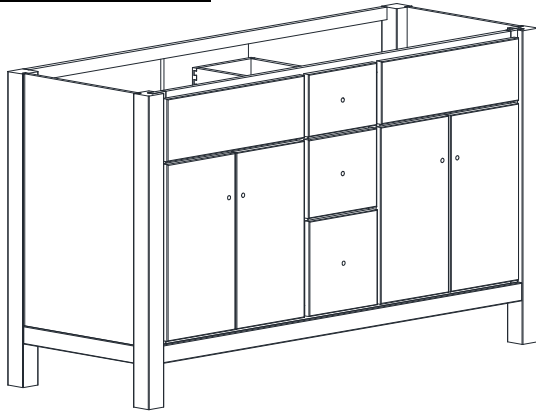




TABLE VANITY SPECIFICATIONS

Premier Molding Overlay Collections Ovation and Parkway



2 bowl 54" vanity bowl centers are 12" from each end. 2 bowl 60" vanity bowl centers are 13 1/2" from each end.

Cabinet height is 34 1/2". All dimensions are shown in inches rounded up or down to the nearest 1/8".

Available in 18" deep, depth does not include doors and drawer fronts which add 3/4".

Model	A	B	C	D	E	F	G	H	I	J	K
TX5421M	54"	21 3/4"	21"	19 3/8"	8 1/4"	17 1/8"	17 1/8"	5 1/8"	6 5/8"	8 3/8"	9 3/8"
TX6021M	60"	21 3/4"	21"	19 3/8"	8 1/4"	20 1/4"	17 1/8"	5 1/8"	6 5/8"	8 3/8"	9 3/8"