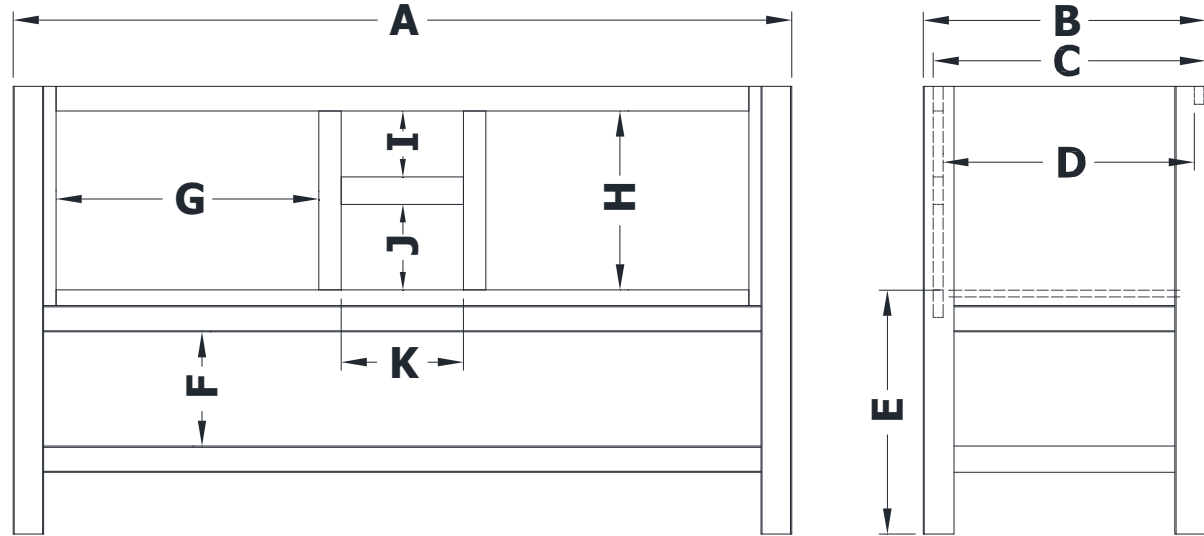
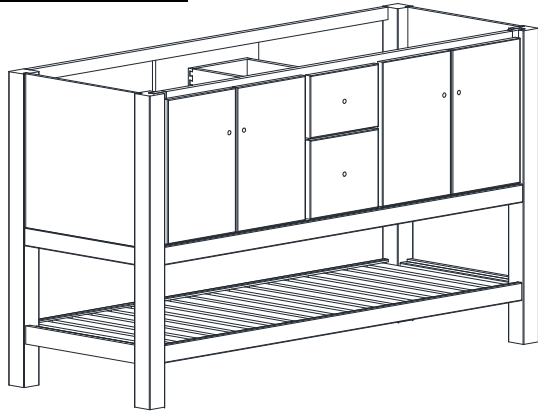




TABLE VANITY SPECIFICATIONS

Premier Molding Overlay Collections Ovation and Parkway



Two bowl 54" vanity bowl centers are 12" from each end
 Two bowl 60" vanity bowl centers are 13 1/2" from each end

Cabinet height is 34 1/2". All dimensions are shown in inches rounded up or down to the nearest 1/8".
 Available in 18" deep, depth does not include doors and drawer fronts which add 3/4".

Model	A	B	C	D	E	F	G	H	I	J	K
DX5421M	54"	21 3/4"	21"	19 3/8"	18 3/4"	8 3/4"	16 3/4"	13 3/4"	5 1/8"	6 5/8"	9 3/8"
DX6021M	60"	21 3/4"	21"	19 3/8"	18 3/4"	8 3/4"	20 1/4"	13 3/4"	5 1/8"	6 5/8"	9 3/8"