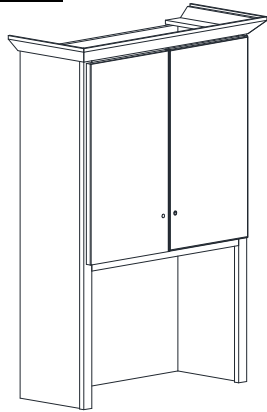


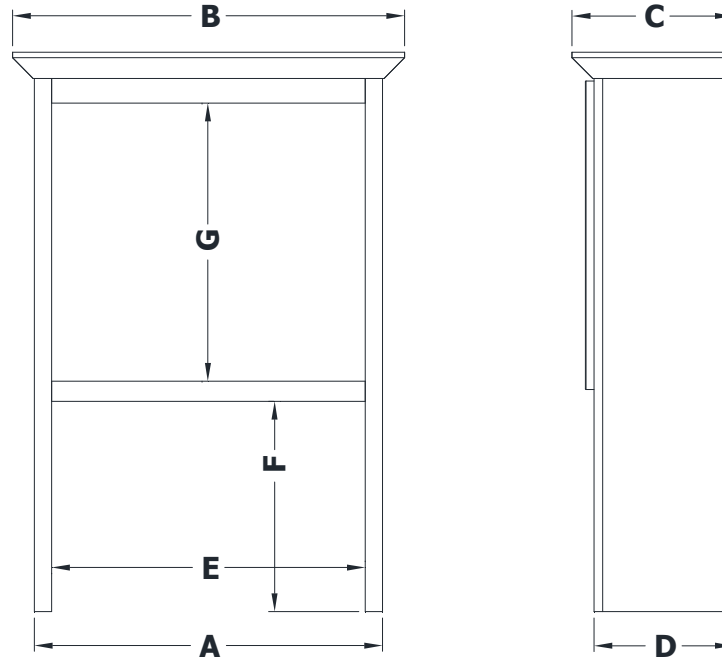


COUNTER WALL CABINET SPECIFICATIONS

Premier Overlay Collections Ashford, Gentry, Lambiere, Yorkshire, and Zephyr



3D drawing shows drawers right. For drawers left, replace the "R" in position 7 of the model number with a "L".



Cabinet height is 48 1/8". All dimensions are shown in inches rounded up or down to the nearest 1/8".

Available in 11" deep, depth does not include doors and drawer fronts which add 3/4".

For 11" deep models, place the "10" in positions 5-6 of the model number.

This model is standard with 2 adjustable shelves.

Model	A	B	C	D	E	F	G
TK3012-	30"	33 3/4"	13 7/8"	12 3/4"	27"	18 1/8"	23 7/8"