



Flyover Light

Installation Instructions

Flyover lights are designed to install over another cabinet.

CAUTION: Xenon bulbs are similar to halogen. They are slightly cooler and therefore safer. Do not use halogen replacement bulbs in these lights. Halogen bulbs get very hot and could cause a fire. Never place a dimmer switch on a fly-over light—the transformer must have full power. A dimmer will interrupt power to the transformer and cause it to hum.

Prepare the Mirrored Cabinet

If your cabinet has a crown:

1. Remove the screws that attach the crown to the top of the cabinet.
2. Lift the crown off. The crown will not be used and may be discarded.
3. Install your cabinet by following the instructions that came with it.

Installation of Filler Strip

1. Position the filler strip on the top of the cabinet, adhesive tape down
 - Align the filler strip with the front of the cabinet and 3/4" inset on each end.
2. Remove the protective backing from the tape and attach the filler.
 - Be careful! The adhesive is very strong.

Install Your Flyover Light

1. Set the Flyover Light on a soft surface with the light sockets face down.
2. Insert the screws into the pre-drilled holes that are recessed in the frame of the Flyover. (See Figure 2)
3. Position the Flyover Light on top of the cabinet (See Figure 3)
4. Make sure the back of the Flyover Light is flush with the back of the cabinet you are attaching it to and the sides of the Flyover Light is flush with the sides of the cabinet you are attaching it to.
5. Attach the Flyover to the cabinet with the screws you inserted in step 2.
6. Position light cover over light socket and gently twist the light cover onto the light fixture.
7. Plug the electric cord into a 120 volt outlet.
8. Your new Flyover Light is ready for use!

California Residents: This fixture is **not** a high efficacy luminaire and therefore **must** be controlled by an approved occupancy sensor. This is true whether it's installed in a bathroom or with a sink used for personal hygiene in another room. See California Code of Regulations Title 24 Part 6 to ensure full compliance.

Parts List

Qty. Item

- | | | |
|---|---------------------|---------------------|
| 1 | Flyover Body | * Xenon Light Bulbs |
| 1 | 1/4" molded strip** | * Light Covers |
| | * #6 x 1 1/4" screw | |
- * Quantity varies according to the size of the Flyover light. Bulbs are 20 watts each. Replacement bulbs may be ordered from Woodpro Cabinetry.
- ** Length varies according to the size of the Flyover

Figure 1

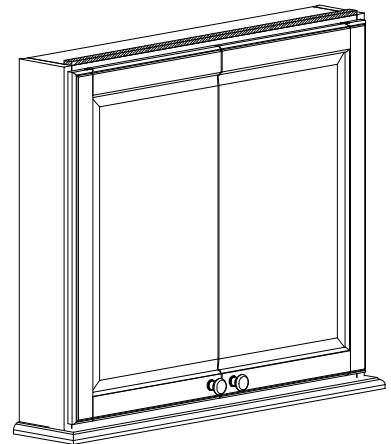


Figure 2

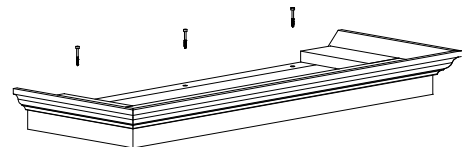


Figure 3

