



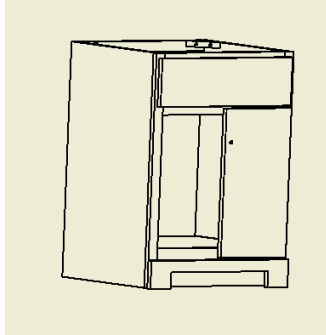
# End Skin

Installation Instructions

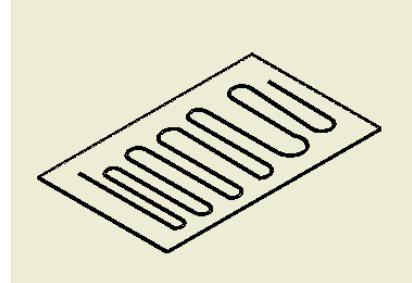
## Tools and Supplies

- C Clamp
- Panel Adhesive

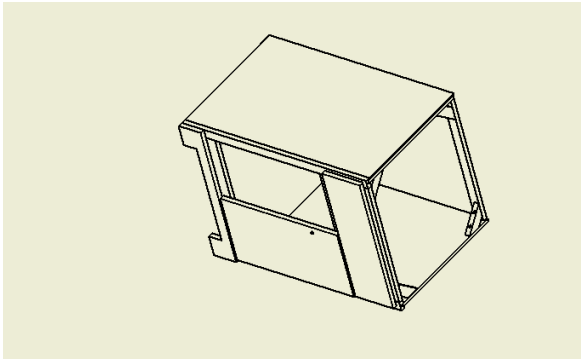
## Replace a Raised Toe Board



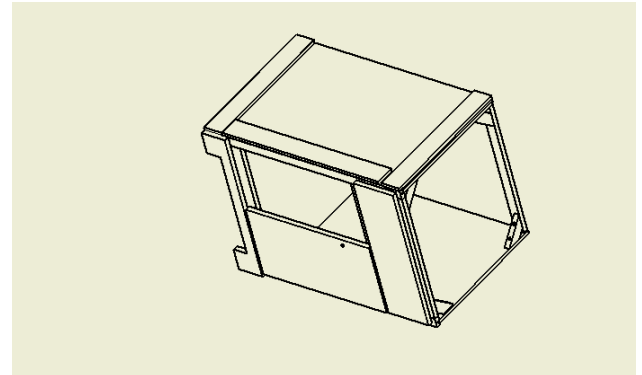
1. Remove the door or drawer on the side that the end skin is to be applied.



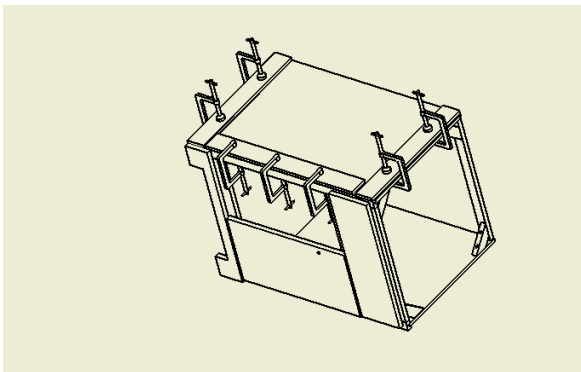
2. Apply adhesive to the back side of the end skin staying about an inch from edges.



3. Place the end skin in place on the vanity.



4. Place scrap material at the top and bottom and front of the end skin to keep clamps from marring the face of the end skin.



5. Use Clamps to hold the end skin in place till the adhesive dries.