



Vanity Skirt Installation Instructions

TOOLS AND SUPPLIES NEEDED

- ◆ Hammer
- ◆ Phillips Screwdriver
- ◆ 4 - #8 x 1" Phillips head Wood Screws

PREPARATION

Remove cabinet, skirt, and bag of screws from cartons.

GENERAL CONCEPT

The vanity skirt is attached to the bottom of the vanity. It adds 2 1/8 inches to the height of the vanity.

FIRST

Toe Board Removal

The toe board is the piece of wood nailed across the bottom on the front side of the vanity (see Figure 1).

Remove drawers from vanity and turn vanity upside down.

Remove toe board by tapping on back side with hammer. After removal clench over nails for safety. If toe board mounting blocks do not come off with toe board tap them lightly from back side with hammer to remove them.

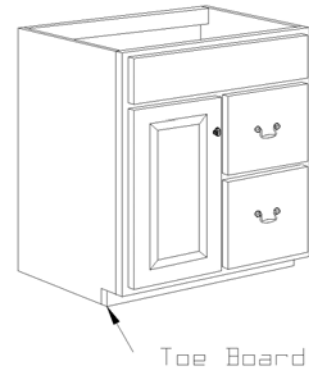


Figure 1

SECOND

Assemble Vanity Skirt.

Turn vanity skirt upside down on flat surface. Attach left and right ends of vanity skirt to the front and lightly tighten the screws with a screwdriver.

Place vanity skirt upside down on the vanity (see Figure 3).

THIRD

Attach Vanity Skirt to Vanity.

Place the back end of the skirt flush with the vanity. Using the 1 inch screws provided, fasten the skirt sides to the vanity (see Figure 2 part A).

Adjust the skirt ends equally on each side and firmly tighten the screws leaving no gap between top of skirt and side of vanity (see Figure 2 part B).

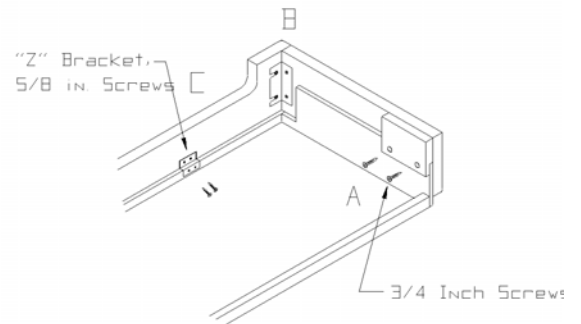
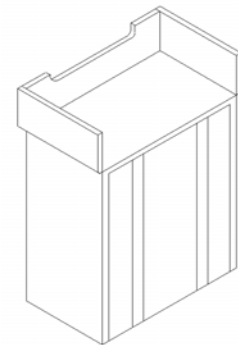


Figure 2

FOURTH (Note: Do this step only for 42 inch and wider vanities.)

Attach "Z" Bracket To Front of Vanity Skirt

"Z" Bracket is attached behind the front side of the vanity skirt where skirt meets vanity. Attach with the four 5/8 inch screws provided (see Figure 2 part C).



Rear, Upside Down View

Figure 3