



# Framed Mirror, Tall Framed Mirror and Universal Mirror Installation Instructions

## TOOLS AND SUPPLIES NEEDED

- ◆ Hammer
- ◆ Level
- ◆ Phillips Screwdriver
- ◆ Tape Measure/Yardstick
- ◆ Powered Drill and 3/32" and 3/16" Drill Bits
- ◆ 1 1/4" screws
- ◆ 1 3/4" screws
- ◆ 2" washer head screws
- ◆ Assistance by a second person may be needed

## PREPARATION

Remove framed mirror and cleat from carton and remove bag of hardware stapled to back of framed mirror.

### FIRST

#### Determine Framed Mirror Location

Determine height location by considering alignment of your framed mirror's top or bottom with the top or bottom of other cabinets near it and by holding cabinet up to wall to determine height needed for individuals that will be using the mirror. Using a pencil mark top of framed mirror crown assembly at both ends. (Figure 1) Lower your framed mirror. Using a level lightly draw a horizontal line connecting these two marks. (Figure 2)

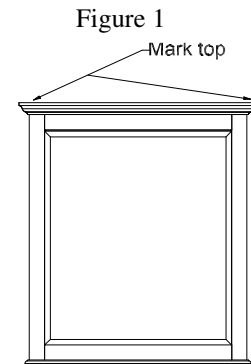
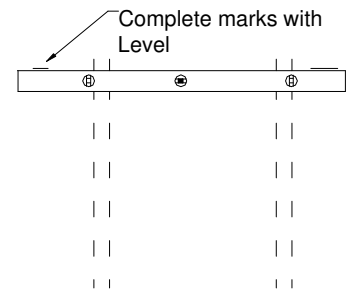


Figure 2



### SECOND

#### Install Mounting Cleat on Wall

**Note:** Framed Mirror should be attached to at least one (1) stud.

Measuring 2 1/2" down from the first line and draw another parallel line stopping 3" short on either end. Line up the top edge of the cleat provided with this second line and using the 1 3/4" screws, securely attach the cleat to the wall. (Figure 3)

### THIRD

#### Mount Framed Mirror to Cleat

Lift and position framed mirror onto cleat. Screw down through the top of the framed mirror into the top of the cleat using 1 1/4" screws provided for all Benchmark, Estate, Fireside, Heirloom, Nottingham, and Mission collections (Figure 4). Screw down through the top of the crown framing and the top of the framed mirror into the top of the cleat using 1 3/4" screws provided for all Ashford, Coventry, Dover, Gentry, Jasper, Kensington, Lambiere, Signature, Valencia, and Windham collections (Figure 5).

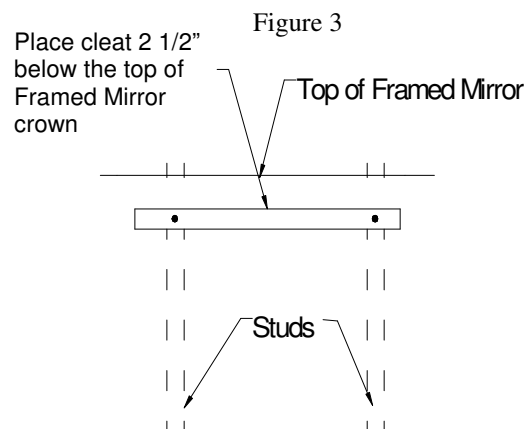


Figure 4

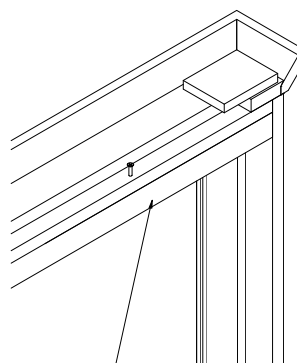
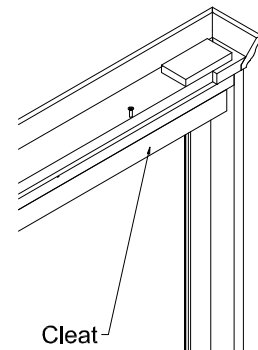


Figure 5



- Notes:**
- 1 Masonry walls may require special anchors to be set using a masonry drill bit.
  - 2 To drill ceramic tile, first score the tile surface **gently** with a hammer and center punch or nail. Use a tungsten-carbide masonry drill only. To avoid breaking the tile, do not force the drill—allow it to cut through.