



# Vanity

## Installation Instructions

See separate instructions for Vanity Top Installation

### TOOLS AND SUPPLIES NEEDED

- ◆ Hammer
- ◆ Level
- ◆ Tape measure
- ◆ Phillips screwdriver
- ◆ Powered Drill and 3/16" Drill Bit
- ◆ Sabre/keyhole saw (may be needed if your vanity has a back)

### PREPARATION

Remove cabinet from carton and remove bag of hardware and drawers from cabinet. Remove old lavatory or vanity top. Check all old pipe fittings or get new ones before beginning the job.

#### FIRST

##### Set Vanity in Place and Level It

If your vanity has a back and there are plumbing lines or pipes coming from the back of the vanity then mark and drill or cut holes for these using a sabre or keyhole saw.

If there is floor molding, mark and cut so that it fits snug to vanity end(s). Place level on vanity and level by adding shims (cedar shingles or other thin wood) under vanity base. Vanity must be completely level for proper water drainage from Top (see Figure 1).

#### SECOND

##### Attach Vanity to Back Wall

Attach vanity by screwing the back frame to the wall. It is necessary to drill holes in the back frame in order to attach them properly. At least one stud should be located and drilled with a mounting hole (see Figure 2).

For Installing an Open Dresser Vanity the back frame should be attached as described above plus have a screw or nail into every stud.

Drill stud mount holes using 3/16" drill bit.

#### Notes:

- 1) Masonry walls require lead anchors to be set.
- 2) To Drill ceramic tile, first score the tile surface **gently** with a hammer and center punch or nail. Use a tungsten-carbide masonry drill bit only.  
To avoid breaking the tile, do not force the drill — allow it to cut through.

#### THIRD

##### Install door and drawer pulls

Place cabinet drawers back in vanity and install door and drawer pulls.

#### FOURTH

Install Vanity Top according to Manufacturer's Installation Instructions.

#### UNDERMOUNT DRAWER GLIDE,

(a feature of Woodpro *premier* (only) cabinetry collections)

##### Drawer removal

1. Push green handles towards center on locking devices.
2. Pull drawer straight out and up.

##### Drawer installation

Place drawer on runners and close, locking devices will automatically engage runners.

##### Height Adjustment

Press down on adjustment latch and push towards back of drawer. (Provides upward adjustment only.)

Figure 1

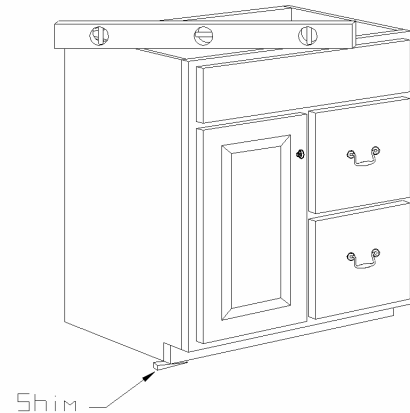


Figure 2

