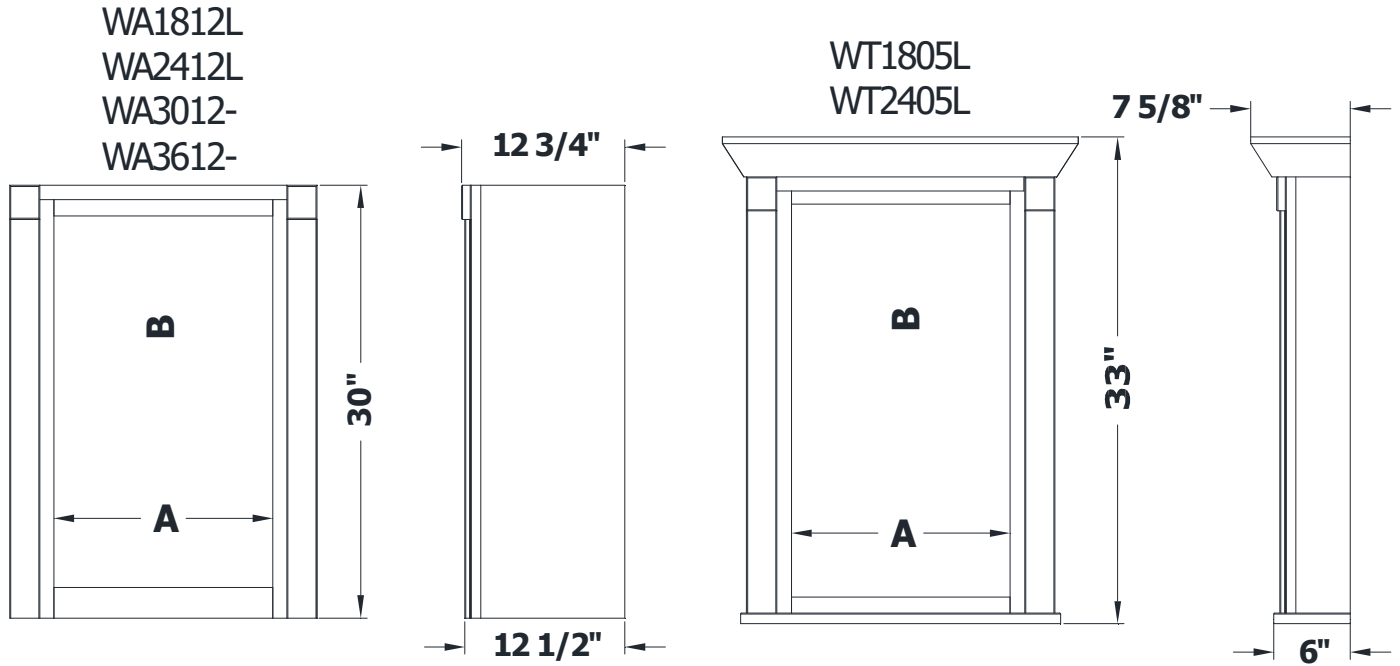




Laundry Room Wall Cabinets-Molding Overlay Collections

Estate, Fireside, Heirloom, Monterey and Nottingham

All Dimensions are shown in inches rounded up or down to the nearest 1/8".



MODEL#	A	B
WA1812L	11"	25 3/4"
WA2412L	17 1/8"	25 3/4"
WA3012-	23"	25 3/4"
WA3612-	28 1/4"	25 3/4"
WT1805L	11"	27 1/8"
WT2405L	17 1/8"	27 1/8"

The Crown adds 2 3/4" to the width of cabinet.
 All models have 2 adjustable shelves.
 Models ending with a "-" are 2 door cabinets
 Models starting with "WA" are also available in 10" and 8" depths.