



Assemble & Install a 3-Piece Corner

Installation Instructions

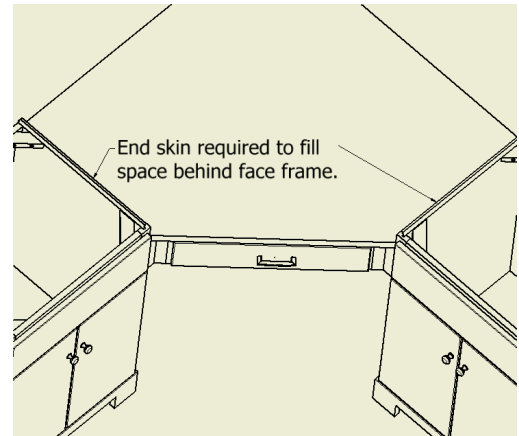
See Manufacturer's instructions for Tops and Drop-In Bowls.

Tools and Supplies

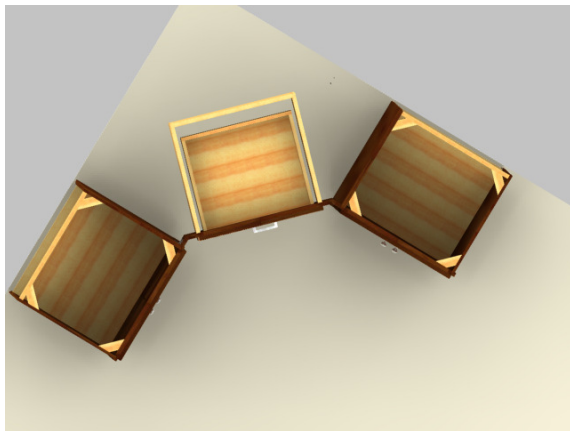
- Hammer & Center Punch
- Level
- Tape Measure
- Phillips (cross-tip) Screwdriver
- Power drill and 3/16" drill bit
- Saw
- 2x4's
- Nails or screws

3-Piece Corner Vanity using the 45 degree filler and desk drawer

Note: if desk drawer is set lower than side cabinets end skins are required to fill in behind the face frames of the side cabinets.



Two Bowl vanity

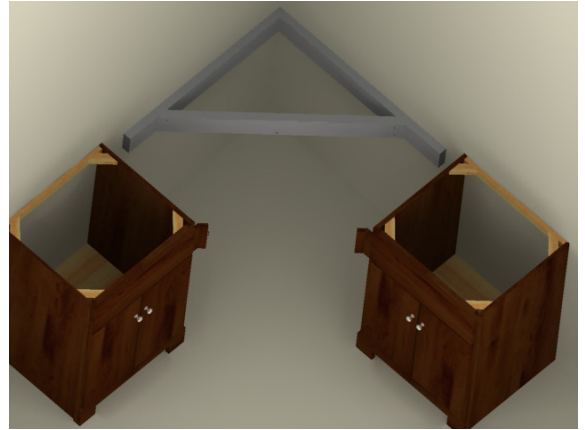


1. Set the pieces beside each other as they will be assembled on a level surface.
2. Place a filler between two cabinets.
3. Mark the floor where the drawer unit goes

4. Attach the filler to the side cabinets with the 45 degree bracket that are provided, one screw in each slotted hole of the bracket into the filler and two screws into the end of the cabinet as shown in the picture to the right.

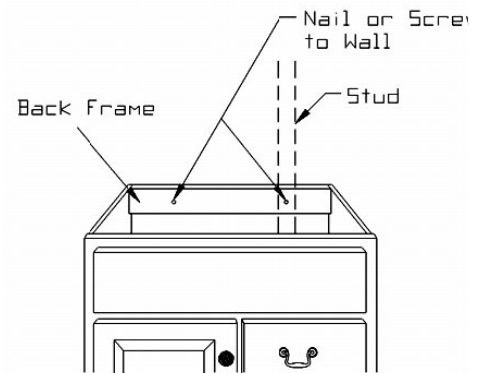


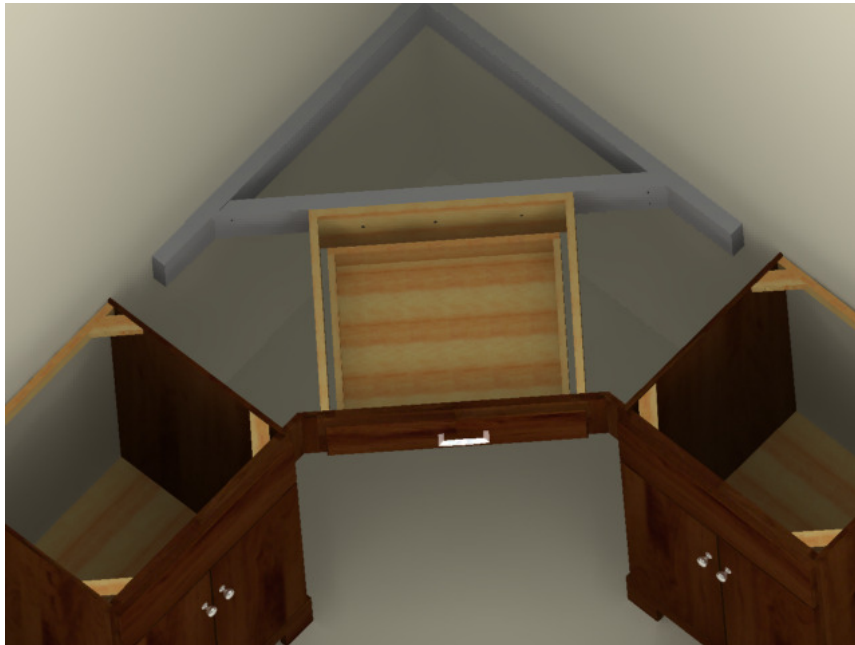
5. Set vanity into its installation area.
 - Mark and cut the wall/floor molding, if needed, to assure a good fit and professional appearance.
6. Build a 2x4 frame in the corner as shown to the right to support the desk drawer and top using the marks from step 3 as guides.
 - Make sure the frame is attached to two or more studs in each wall.
 - Set a carpenter's level across the corner of the vanity and frame to check level. If desk unit is set below the height of the side cabinets level to that height.



7. Attach the filler to the desk drawer with the 45 degree bracket that are provided.

8. Shim vanity until it's level.
9. Set a carpenter's level across the corners of the vanity
10. Drill Mounting Holes in Back Frame.
 - Locate Stud(s).
 - Drill a 3/16" hole through the back frame where it intersects with at least one Stud.
11. Drill mounting holes in the wall.
 - Masonry Walls: Set a lead anchor.
 - Ceramic Tile: Gently score surface with a hammer and center punch (or nail) then drill with a tungsten-carbide masonry drill bit. Never force the bit—allow it to cut.





12. Screw the vanity to the wall and the desk drawer to the frame.

3-Piece Corner Vanity using the 45 degree filler and drawer unit

Attach the filler to the cabinets with the 45 degree bracket that are provided, one screw in each slotted hole of the bracket into the filler and two screws into the end of the cabinet as shown in the picture to the right.



1. Shim vanity until it's level.
2. Set a carpenter's level across the corners of the vanity
3. Drill Mounting Holes in Back Frame.
 - Locate Stud(s).
 - Drill a 3/16" hole through the back frame where it intersects with at least one Stud.
4. Drill mounting holes in the wall.
 - Masonry Walls: Set a lead anchor.
 - Ceramic Tile: Gently score surface with a hammer and center punch (or nail) then drill with a tungsten-carbide masonry drill bit. Never force the bit—allow it to cut.
5. Screw the vanity to the wall